

PART NO.	MATERIAL	COLOR	ADHESIVE
FTH-8-01	NYLON 6/6 (RMS-01)	NATURAL	NONE
FTH-8A-RT			ACRYLIC TAPE (RMS-15), WHITE LINER

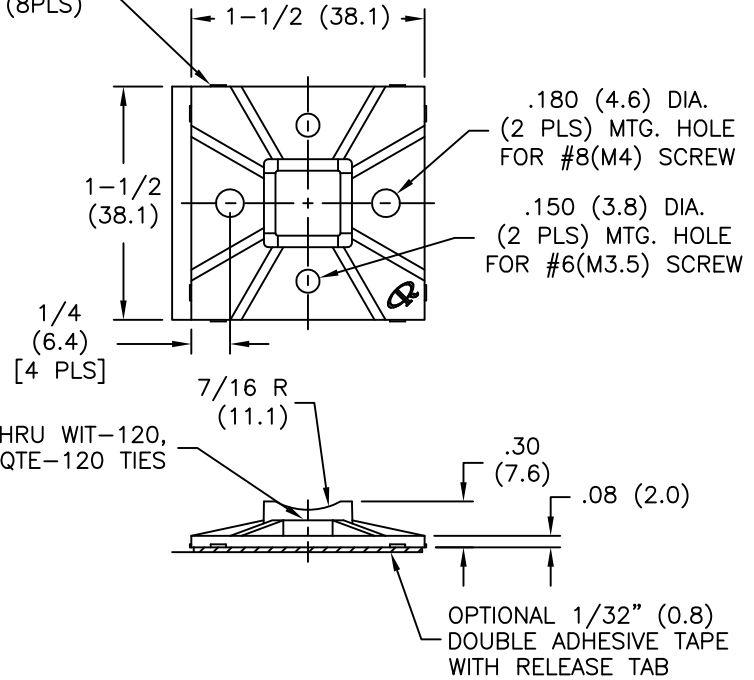
NOTES:

1. NYLON 6/6 (RMS-01),
 COLOR: NATURAL,
 RUBBER ADHESIVE TAPE (RMS-102), BLUE LINER,
 AVAILABLE BY SPECIAL ORDER ONLY;
 TO ORDER USE P/N FTH-8A1-RT.

FLAME RETARDANT NYLON (RMS-19),
 COLOR: NATURAL,
 ACRYLIC ADHESIVE TAPE (RMS-15), WHITE LINER,
 AVAILABLE BY SPECIAL ORDER ONLY;
 TO ORDER USE P/N FTH-8A-RT-19
 OR FTH-8-19 (WITHOUT TAPE).

UV STABILIZED NYLON (RMS-46),
 COLOR: BLACK,
 ACRYLIC ADHESIVE TAPE (RMS-15), WHITE LINER,
 AVAILABLE BY SPECIAL ORDER ONLY;
 TO ORDER USE P/N FTH-8A-RT-UVB
 OR FTH-8-UVB (WITHOUT TAPE).

THESE BUMPS MAY NOT
 APPEAR ON PART (8PLS)



ACCOMMODATES WIT-18 THRU WIT-120,
 AND QTE-18 THRU QTE-120 TIES

TITLE: FLAT TIE HOLDER			DWG IN IN (MM)		FINAL		PRINT TYPE		
F	SEE CO 200248 FOR CHANGES	SK 10.30.08	FILE #	FTH-8	DWN:	P.B.	APP:	PART #	PRINT TYPE
E	SEE ECN #1124 FOR CHANGES	SK 01.24.06	MAT'L:	SEE NOTES	DT:	06-29-94	DT:		
D	COMPLETELY RE-DRAWN & CHANGED FILE#	SM 10.18.01	RE:	RICHCO, INC.	RICHCO INC. PO BOX 804238, CHICAGO, 60680 (773) 539-4060				
C	ADDED (RMS102) BY SPECIAL ORDER	J.L. 08.22.00	TOLERANCES UNLESS NOTED						
B	MAT'L NOTES UPDATED	J.L. 01.10.00	.XX=±.010						
A	PART NO.'S REVERSED IN TABLE	MO 2/23/98	.XXX=±.005						
REV	DESCRIPTION	ENGR DATE	FRAC=±1/64						
			ANG=±1'						